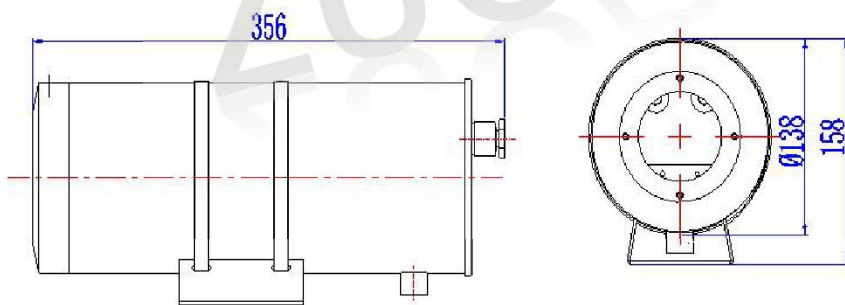


2014-2-28

ZAFC-001 ZASC-001
AIR / WATER COOLING HEAT RESISTANT CCTV CAMERA HOUSING
MAIN FEATURES

- dual layer housing of stainless steel 201
- optional electropolished or corrosion resistant paint finish
- IP68 rated
- Optional power input: DC12V, AC24V, AC100~240V, POE power supply
- ZAFC001, air cooling housing, resist 150°C(302°F)
- ZASC001, water cooling housing, resist 250°C (482°F)
- Application: extreme area with high temperature monitoring, like chemical , petroleum processing factory, furnace monitoring


ZAFC-001 air cooling type
DRAWINGS

ZASC-001 water cooling type

Model	ZAFC001	ZASC001
Atmospheric pressure	80KPa~110Kpa	
Relative Humidity	≤95% (+25°C)	
Window glass	8mm thickness tempered glass	
Ingress Protection	IP68	
Optional Voltage Input	AC24V, AC100~240V, DC12V, POE POWER SUPPLY	
Overall dimension	356*138*158 mm	
Net weight	3.5 kg	
Housing Material	Stainless Steel 201	
Cooling Way	compressed air	circulate cooling water
Cooling media pressure	≤35°C(95°F), air supply:0.4-1.0L/s	water: 2800 liter per hour


ZAZ104B wall bracket